

USER MANUAL

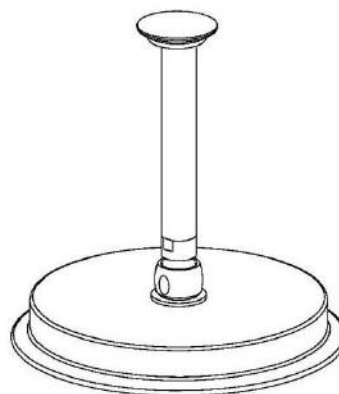
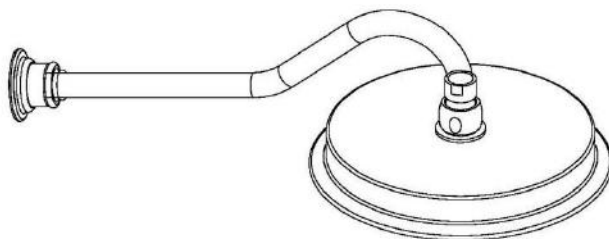


Thank you for choosing Better Bathrooms.
Please read this manual before installing your product
and keep for future reference.

better 
bathrooms

Product

BeBa_27697- Camden Shower Head Chrome
BeBa_27698- Camden Shower Head Matt Black
BeBa_27699- Camden Shower Head Brushed Brass
BeBa_27700- Camden Wall Arm Chrome
BeBa_27701- Camden Wall Arm Matt Black
BeBa_27702- Camden Wall Arm Brushed Brass
BeBa_27703- Camden Ceiling Arm Chrome
BeBa_27704- Camden Ceiling Arm Matt Black
BeBa_27705- Camden Ceiling Arm Brushed Brass



- **Single-person assembly**
- **Tools required**
- **We always recommend using professional tradespeople to install your product**

V1_07/9/2021

Congratulations on your purchase

And welcome to our growing gang of savvy shoppers

We're on a mission to bring you extraordinary bathroom products, for less. From modern to traditional style ceramics, plus the gorgeous fixtures, fittings and furniture to match. So, you can fall in love with your space every single day.

As one of the UK's largest independent bathroom stores, we've received countless awards; including the National Business Awards UK, the Digital Entrepreneur Awards and being placed on The Sunday Times Fast Track 100.

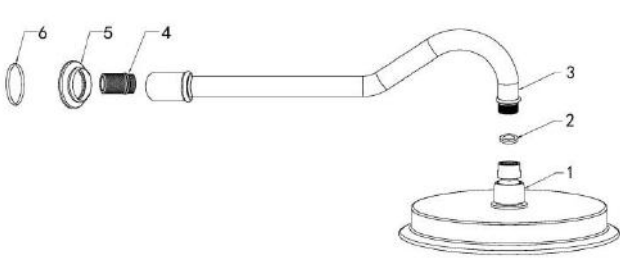
We hope your new product goes above and beyond your expectations. However, should any problems occur, please:

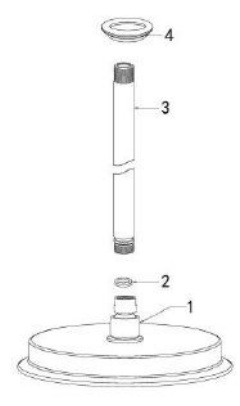
- log in to your account and contact our customer services team via your self-serve portal – betterbathrooms.com/CustomerAccount/Login
- contact us via betterbathrooms.com/content/contact-us

Important information

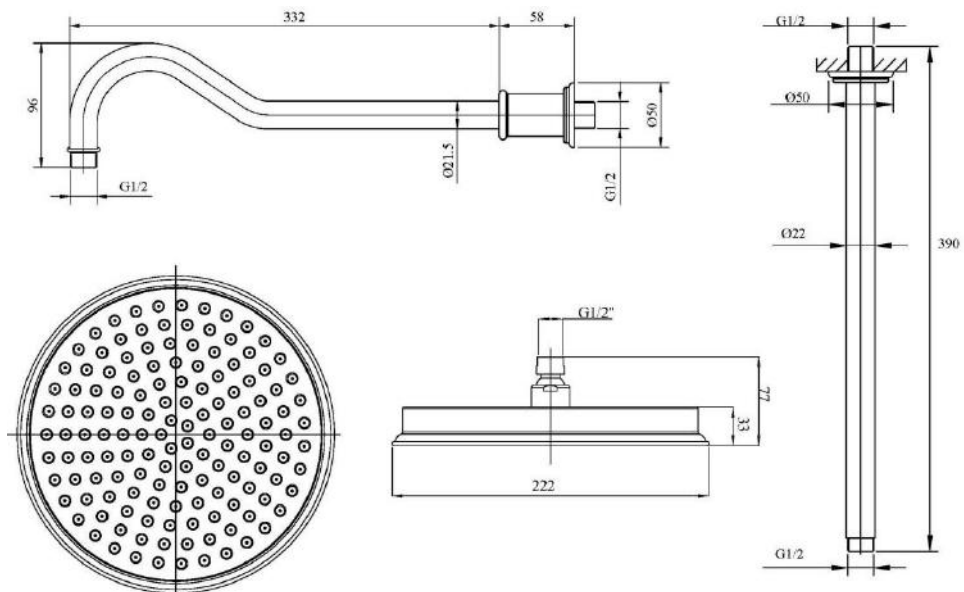
- Please read these instructions thoroughly and retain for future reference
- Installation must be carried out in compliance with The Water Fittings Regulations and Scottish Water Byelaws.
- Minimum and Maximum working pressure : 1 - 5 bar
- Please do not connect hot and cold water supply lines in reverse. This could result in hot water flowing from cold line and cause scalding.
- The feed-water temperature of water shall not exceed 85°C. Exceeding 85° may cause scalding, the service life of shower might be shortened, or the shower might be damaged.
-

Parts / Diagrams

	No	Part Description
	1	Shower head
	2	Rubber washer
	3	Wall arm
	4	Connector
	5	Trim cover
	6	O-ring

	No	Part Description
	1	Shower head
	2	Rubber washer
	3	Ceiling arm
	4	Trim cover

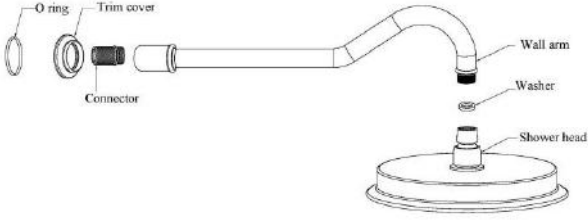
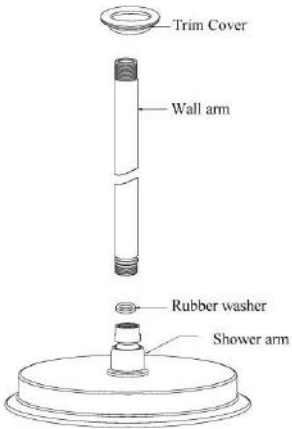
Dimensions



Tools required

- Seal tape

Installation

 <p>The diagram illustrates the wall-mounting type installation. On the left, individual components are shown: an O-ring, a trim cover, and a connector. On the right, the wall arm is shown being inserted into a wall elbow. A washer is placed between the wall arm and the shower head. The shower head is then rotated to secure the connection.</p>	<h3>Wall-mounting type</h3> <ul style="list-style-type: none">• Inspect and check if the O-ring is fitted in the trim cover.• Put the trim cover onto the wall arm.• Apply an appropriate amount of seal tape on screw thread of connector and fix one end with wall arm.• Screw the wall arm in the water supply pipe elbow installed in the wall (not included), and adjust the wall arm so that the bend points directs vertically down.• Inspect and check if the rubber washer is fitted in the ball-joint of shower head.• Screw the shower head with wall arm by rotating the shower head and ensure it is fully tightened.
 <p>The diagram illustrates the ceiling-mounting type installation. It shows a trim cover at the top, a wall arm in the middle, and a rubber washer at the bottom. The shower arm is shown being inserted into the wall arm, and the shower head is being rotated to secure the connection.</p>	<h3>Ceiling-mounting type</h3> <ul style="list-style-type: none">• Put the trim over onto the ceiling arm.• Apply an appropriate amount of seal tape on screw thread of ceiling arm.• Fix the ceiling arm into the water supply pipe elbow in the ceiling (not supplied)• Inspect and check if the rubber washer is fitted in the ball-joint of shower head.• Screw the shower head with wall arm by rotating the shower head and make sure it is fully tightened.

Troubleshooting

Issues	Check
Poor water flow	<ul style="list-style-type: none">• Is there damage or blockage with filter mesh inside the ball joint of shower head• Are the nozzles of the shower head blocked
Water leak	<ul style="list-style-type: none">• Is the shower head fully tightened to the arm• Have the seals been fitted• Has sufficient seal tape been used• Is there damage or blockage within the filter mesh inside the ball joint of shower head• Is there damage to the rubber washer in the ball joint of shower head

Maintenance and Cleaning

To maintain the surface of your product, wipe with a clean damp cloth and wipe dry, do not use any abrasive cleaning agents or materials.

If any harsh chemicals come into contact with the surface of the product, rinse and wipe clean immediately.

If the nozzle is blocked and flow distorted, wipe it with soft cloth which is dipped into warm water.

Take care not to damage the nozzles.

If the product is wiped with excessive force, the nozzle might become damaged or deformed, causing distorted flow.

For more information

- visit betterbathrooms.com
- email customerservices@buyitdirect.co.uk
- call 03303903062
- write to Trident Business Park, Neptune Way, Huddersfield, HD2 1UA

better 
bathrooms

Part of the BuyItDirect Group